



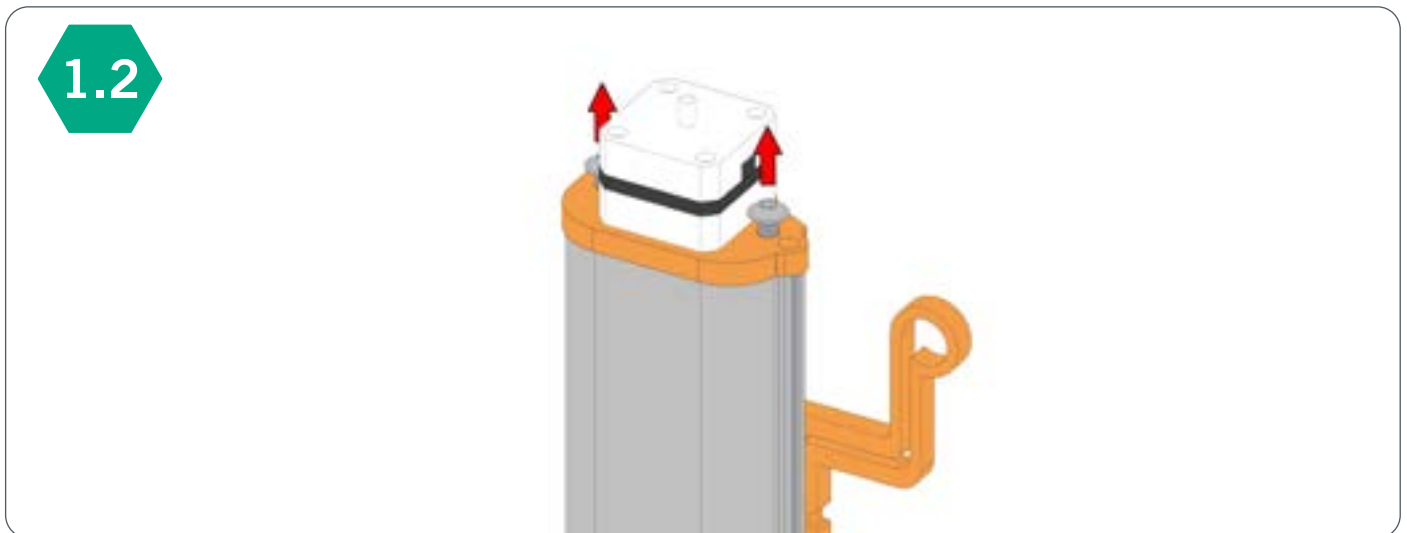
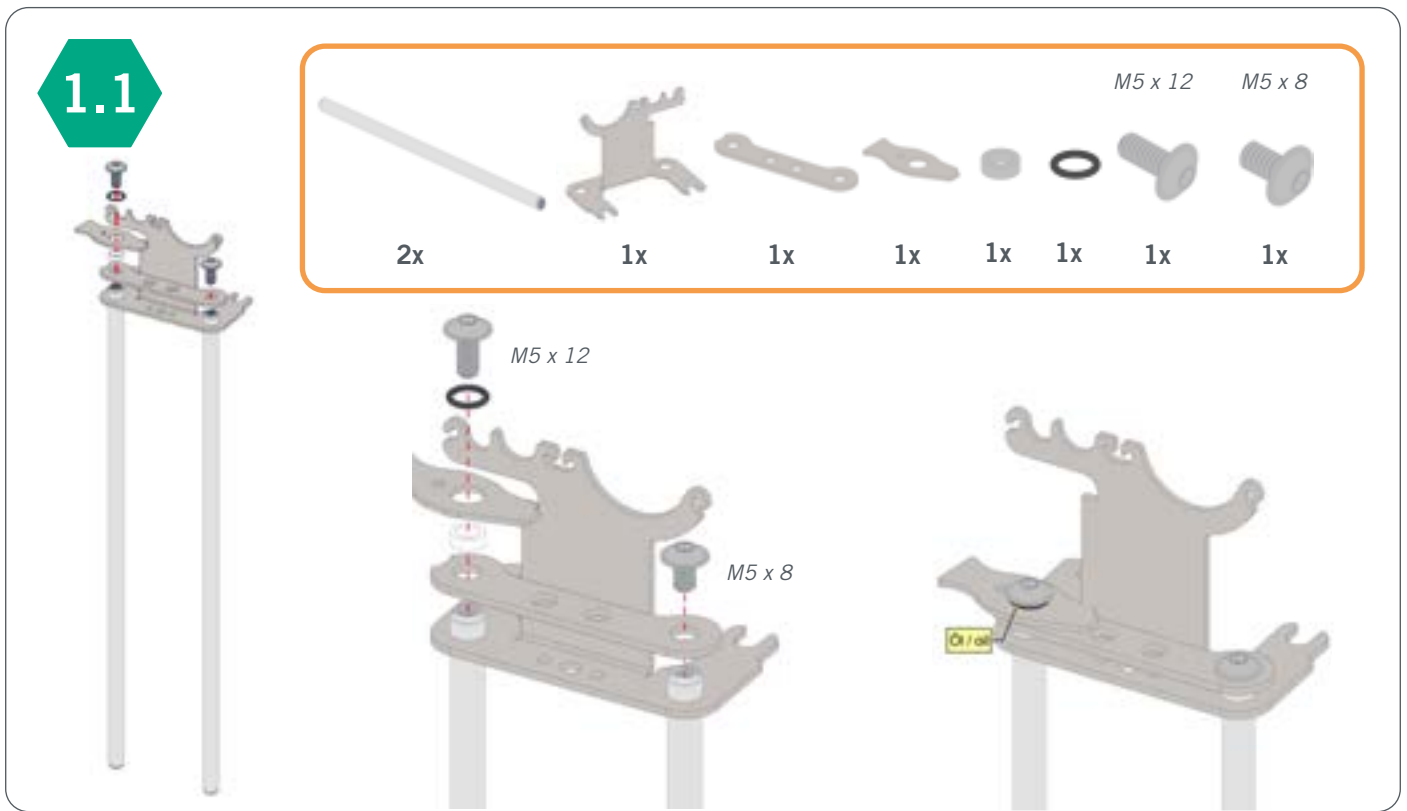
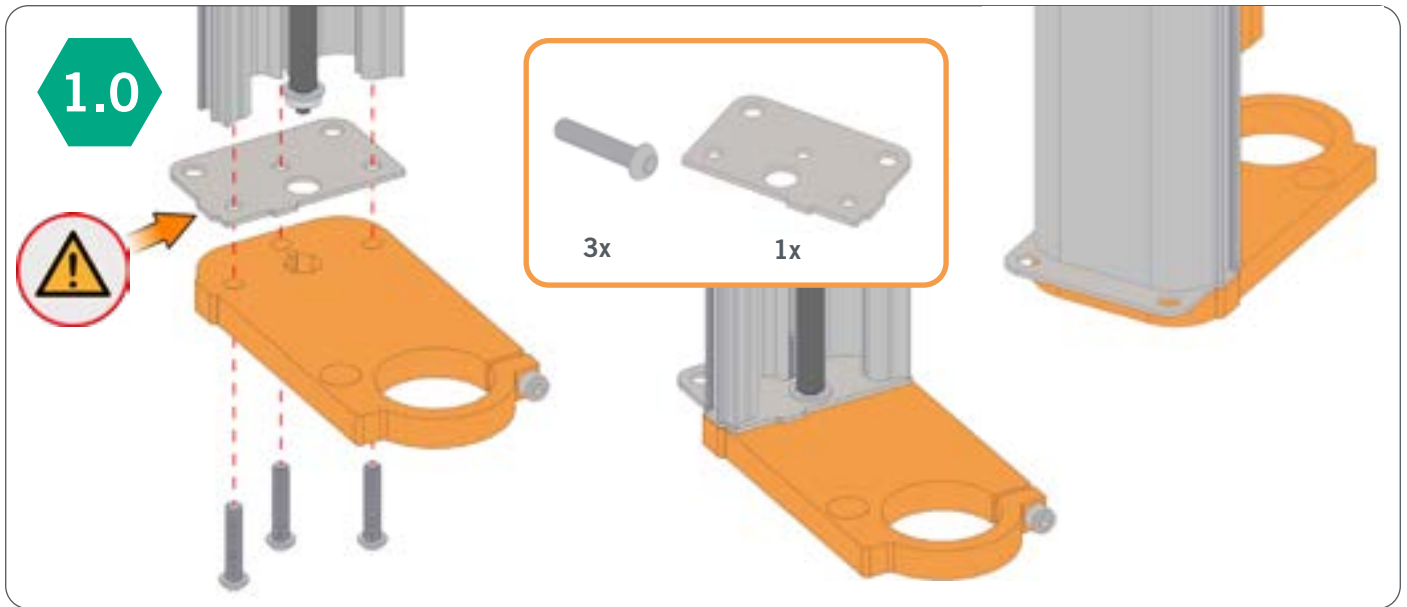
STEPCRAFT.

Anbauanleitung. /
Construction Manual.

D-Serie / D-Series

(D.300 - 600 Version 1, D.300 - 840 Version 2)

06/20



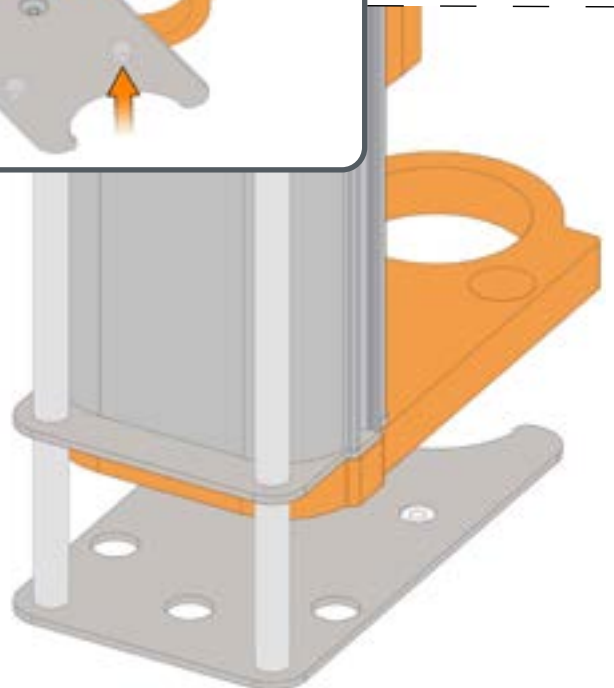
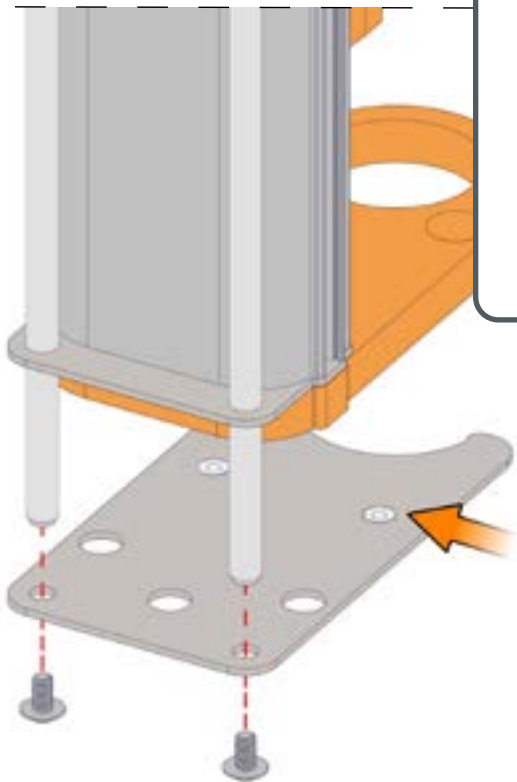
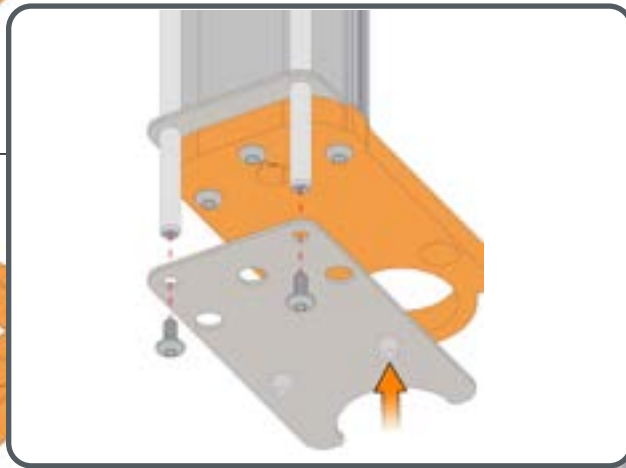
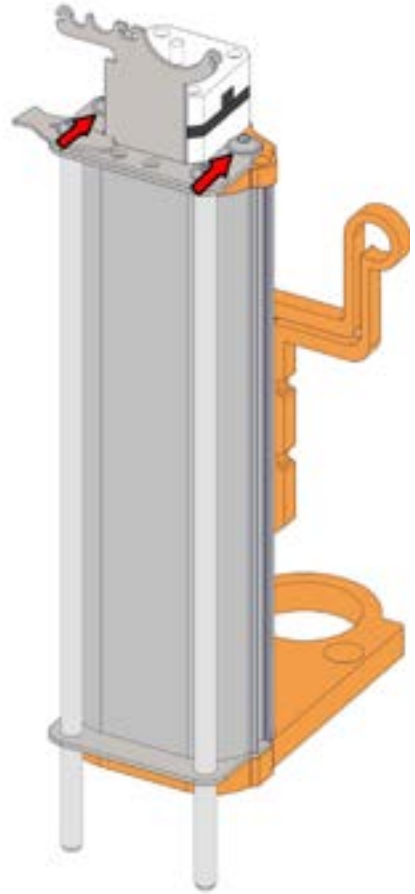
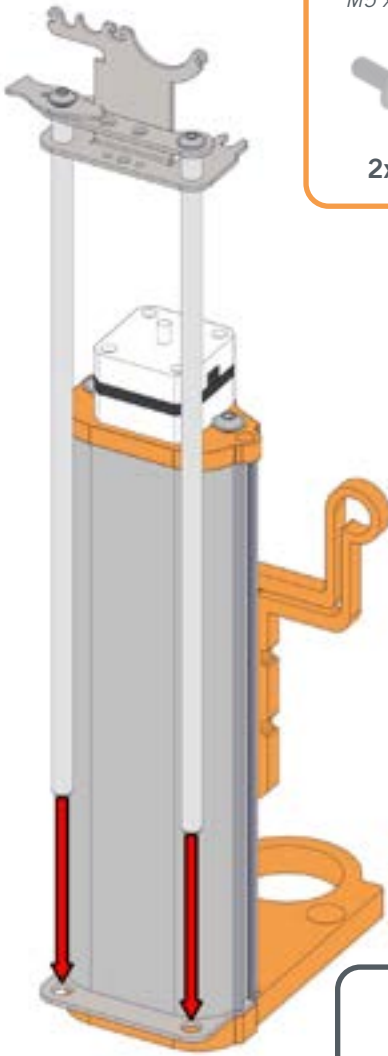
1.3

M5 x 8



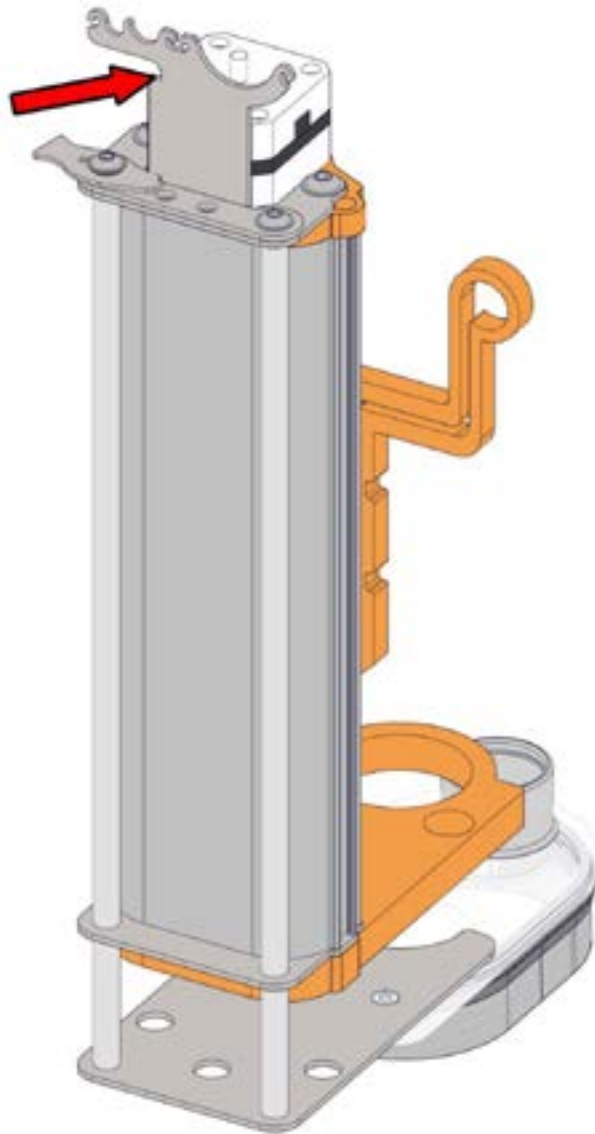
2x

1x



1.4

**Auflagefläche eventuell
etwas abfeilen. /**
*Slightly file off support surface,
if necessary.*



STEPCRAFT GmbH & Co. KG

An der Beile 2
58708 Menden (Sauerland)
Germany

tel.: +49 (0) 23 73 / 179 11 60
mail: info@stepcraft-systems.com
net: www.stepcraft-systems.com

STEPCRAFT Inc.

59 Field Street, Rear Building
06790 Torrington, CT
United States

tel.: +1 (203) 5 56 18 56
mail: info@stepcraft.us
net: www.stepcraft.us